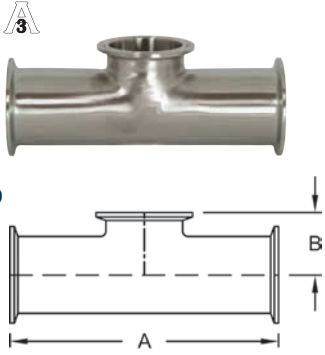


Clamp Fittings - Tees

Short Outlet - B7MPS

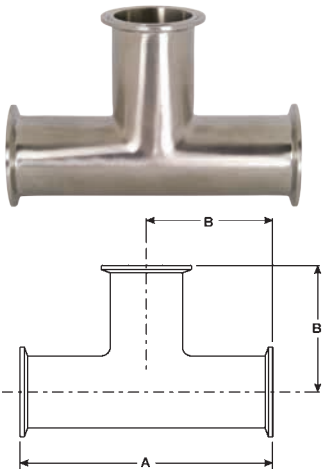
Sanitary Fittings



Tube OD	A	B	304 Stainless Steel Part Number	316L Stainless Steel Part Number
1½"	5.500"	1.375"	B7MPS-G150	B7MPS-R150
2"	7.000"	1.625"	B7MPS-G200	B7MPS-R200
2½"	7.000"	1.875"	B7MPS-G250	B7MPS-R250



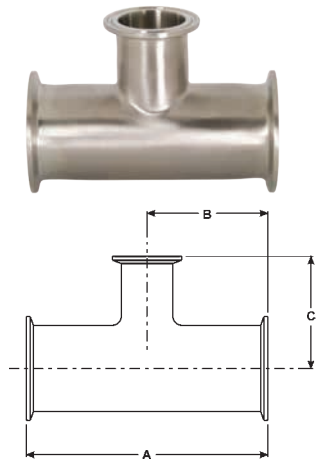
Clamp Tees - B7MP



Tube OD	Dimensions		304 Stainless Steel Part #	316L Stainless Steel Part #
	A	B		
½"	4.750"	2.375"	---	B7MP-R50
¾"	5.000"	2.500"	---	B7MP-R75
1"	4.750"	2.375"	B7MP-G100	B7MP-R100
1½"	5.500"	2.750"	B7MP-G150	B7MP-R150
2"	7.000"	3.500"	B7MP-G200	B7MP-R200
2½"	7.000"	3.500"	B7MP-G250	B7MP-R250
3"	7.500"	3.750"	B7MP-G300	B7MP-R300
4"	9.000"	4.500"	B7MP-G400	B7MP-R400
6"	13.000"	6.500"	B7MP-G600	B7MP-R600
8"	15.750"	7.875"	B7MP-G800	B7MP-R800



Reducing - B7RMP



Tube OD	Dimensions			304 Stainless Steel Part #	316L Stainless Steel Part #
	A	B	C		
1" x ¾"	5.250"	2.625"	2.625"	---	B7RMP-R10075
1½" x ½"	5.750"	2.875"	2.875"	---	B7RMP-R15050
1½" x 1"	4.312"	2.156"	1.875"	---	B7RMP-R150100
2" x ½"	6.750"	3.375"	3.125"	---	B7RMP-R20050
2" x ¾"	6.750"	3.375"	3.125"	---	B7RMP-R20075
2" x 1"	5.125"	2.562"	2.125"	B7RMP-G200100	B7RMP-R200100
2" x 1½"	5.125"	2.562"	2.406"	B7RMP-G200150	B7RMP-R200150
2½" x 1½"	5.688"	2.844"	2.656"	B7RMP-G250150	B7RMP-R250150
2½" x 2"	5.688"	2.844"	2.812"	B7RMP-G250200	B7RMP-R250200
3" x 1½"	6.188"	3.093"	2.906"	B7RMP-G300150	B7RMP-R300150
3" x 2"	6.188"	3.093"	3.063"	B7RMP-G300200	B7RMP-R300200
4" x 1½"	8.125"	4.063"	3.406"	B7RMP-G400150	---
4" x 2"	8.125"	4.063"	3.563"	B7RMP-G400200	---